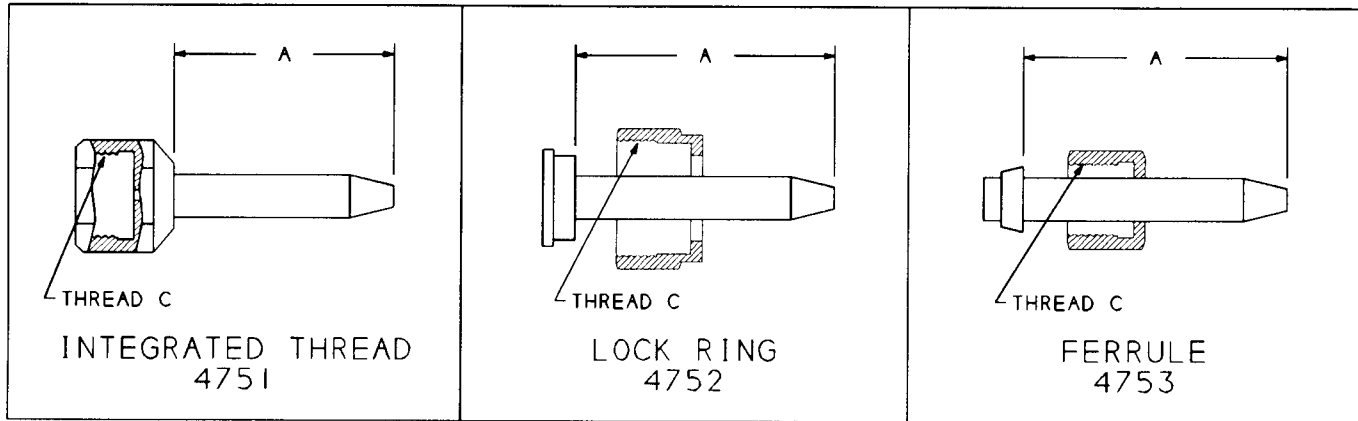


# PLANNING SHEET NEEDLE NOZZLES

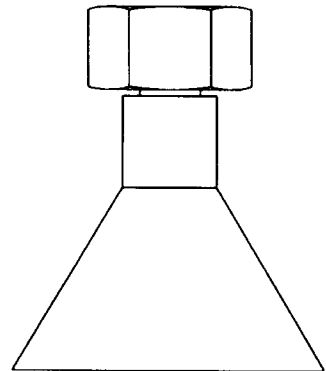
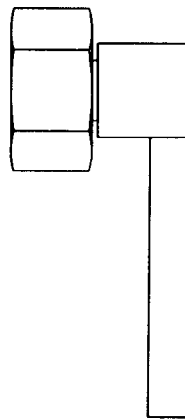
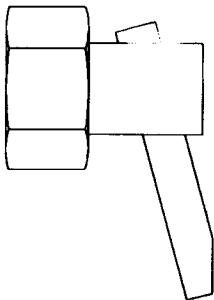
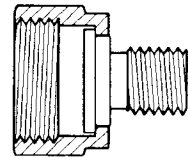


## SELECTION PROCEDURE

1. Specify basic type.
2. Specify thread (C).
3. Specify length (A).
4. Specify orifice.
5. Specify material, Brass/Stainless

## EXAMPLE

Lock Ring 4752  
 3/8-24  
 1.875  
 .030  
 Brass



## SPECIAL CUSTOM NOZZLES AND ACCESSORIES

We can provide accessories to be used with all applicator heads, including nozzle extensions, and adapters to convert heads for use with non-standard nozzles.

We will design to your needs, or provide special nozzles to your specifications. All guaranteed at reasonable cost and fast delivery. Simply fax us a sketch of what you want or call to discuss it with us.